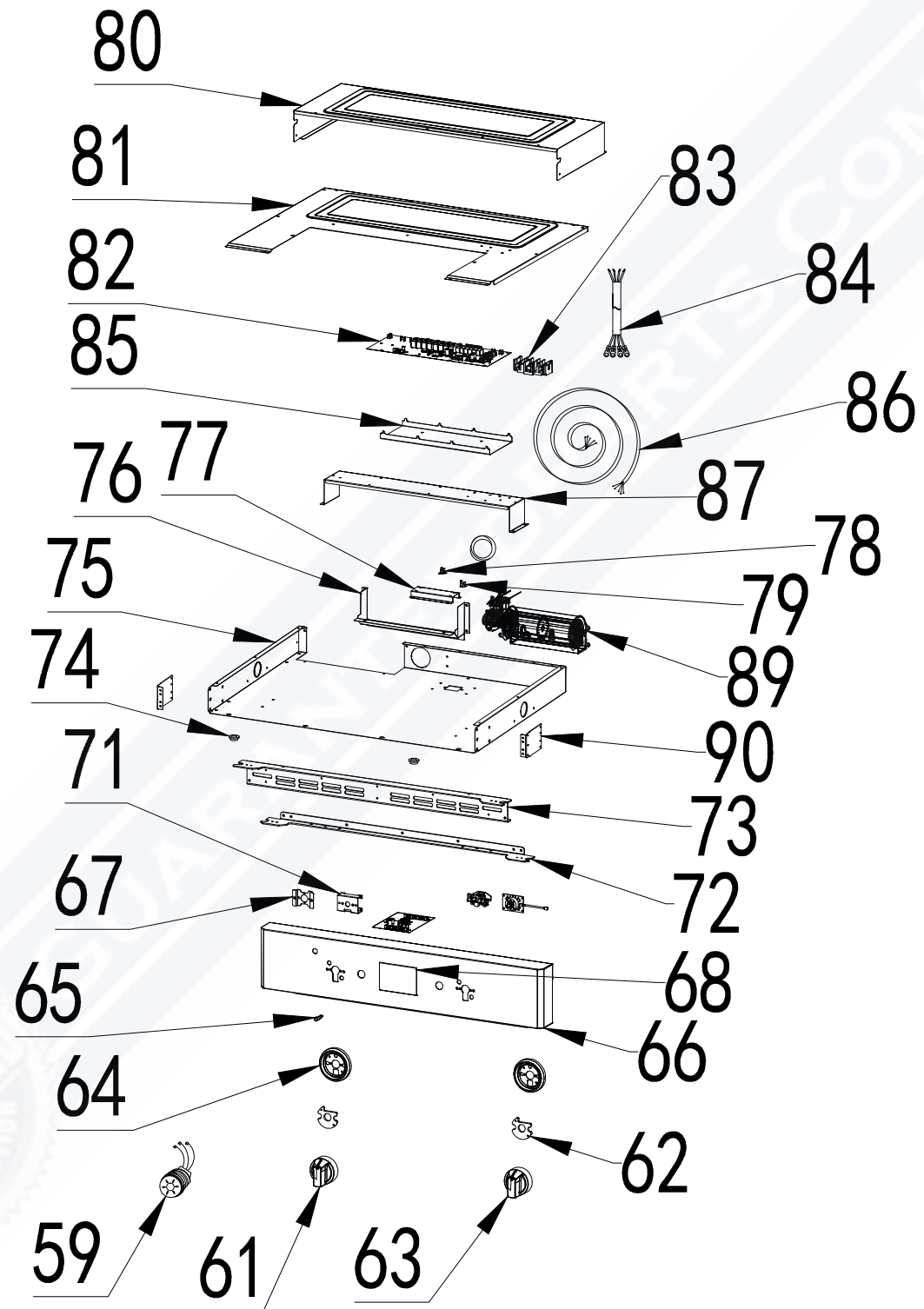
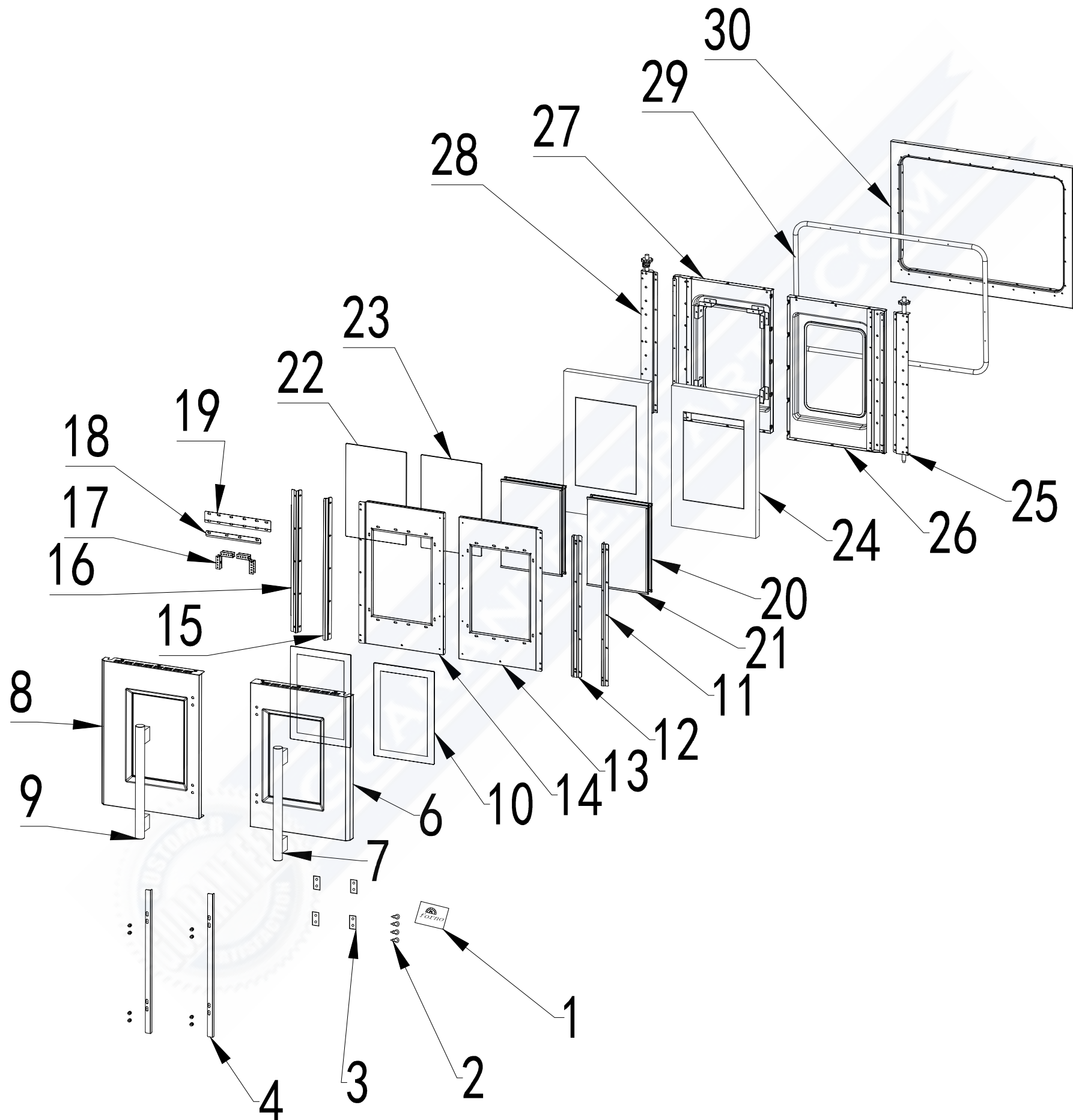


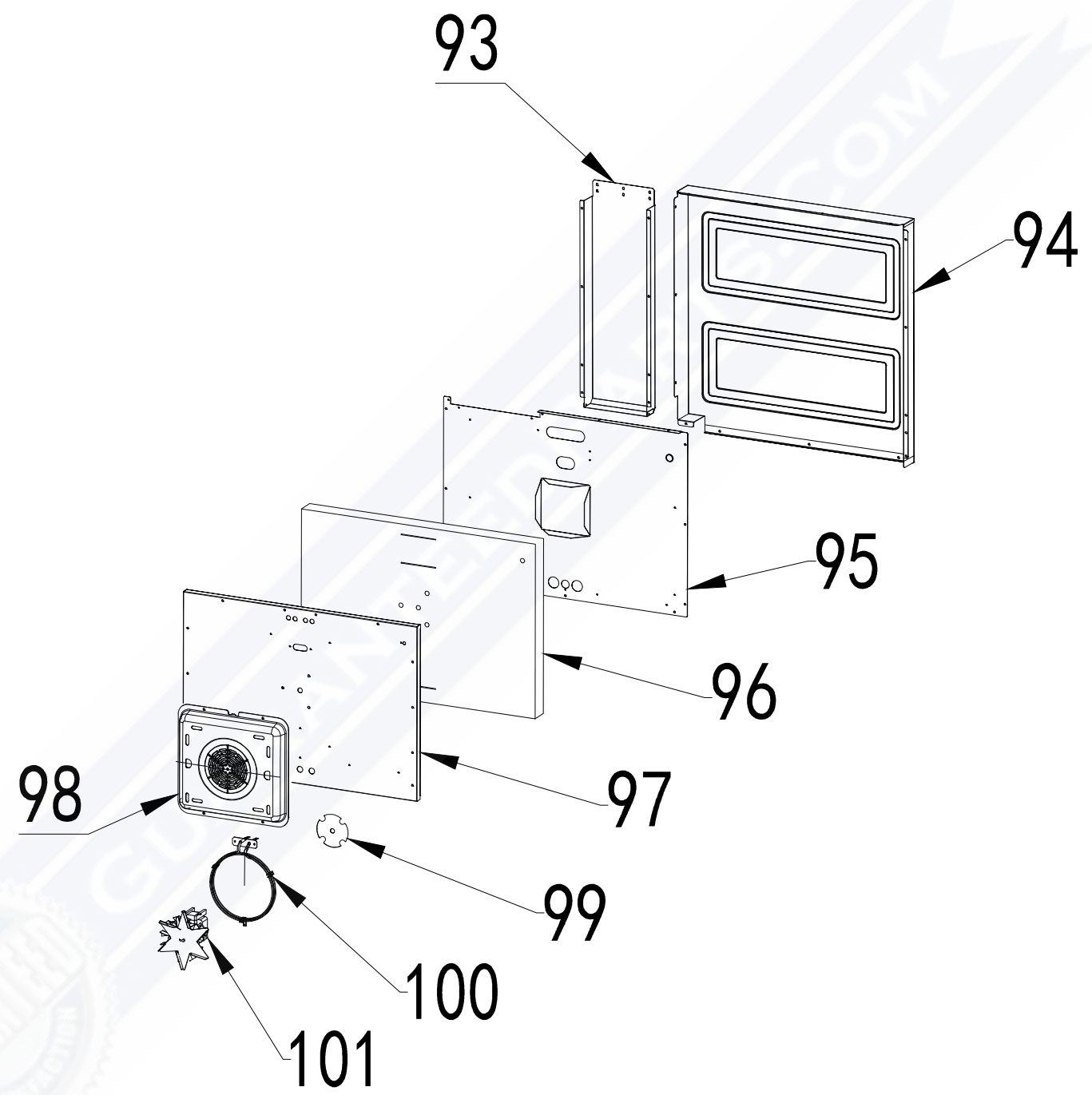
Control section



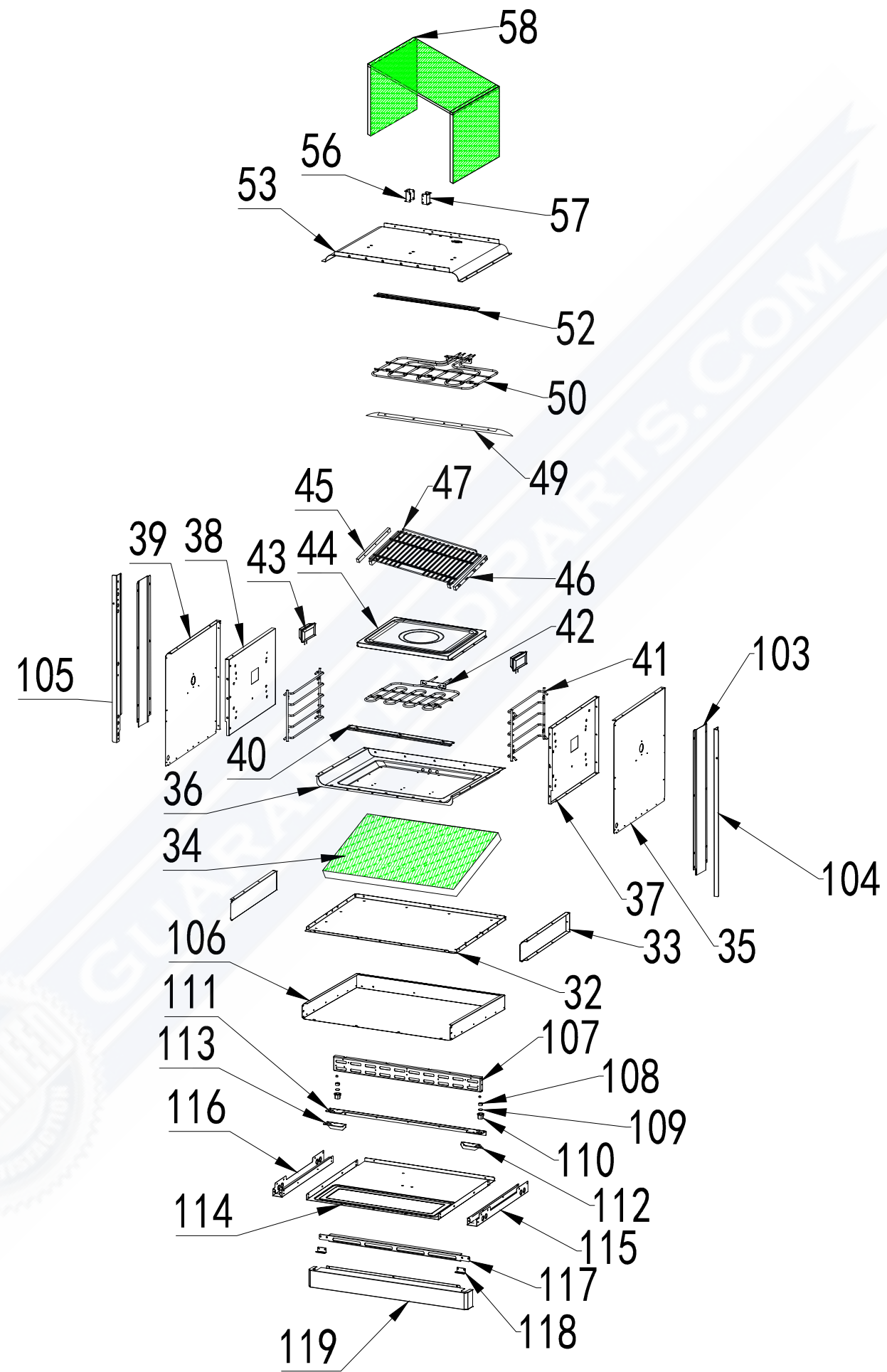
Door



Cavity back



Oven cavity



FBOEL1371-30

| No. | Material Name | Material Code | Qty. |
|-----|---|------------------|------|
| 1 | metal logo | G36R03-020010 | 1 |
| 2 | drawer rubber mat | G20A01-120900 | 4 |
| 3 | handle rubber mat | G18R43-100700 | 4 |
| 4 | Handle strengthen bar | G36R43-100700 | 2 |
| 6 | door outside plate-right | G30R43-100403 | 1 |
| 7 | Handle right | G18R43-101901 | 1 |
| 8 | door outside plate-left | G30R43-100402 | 1 |
| 9 | Handle left | G18R43-101900 | 1 |
| 10 | door outer glass | G18R43-101900 | 2 |
| 11 | supported seal part for right door | G30R44-102100 | 1 |
| 12 | seal part for right door | EDCR43-101100 | 1 |
| 13 | door insulation plate R | G30R43-100801 | 1 |
| 14 | door insulation plate L | G30R43-100800 | 1 |
| 15 | supported seal part for left door | G36R43-102000 | 1 |
| 16 | seal support for left door | G30R44-101000 | 1 |
| 17 | door outer glass fixed part | G36R03-101200 | 8 |
| 18 | left/right door outer glass pressing plate | G30R43-101400-02 | 4 |
| 19 | door outer glass pressing plate | G30R45-101400-02 | 4 |
| 20 | left/right frame body for door inside glass | G36X03-101601 | 4 |
| 21 | up/down frame body for door inside glass | G30R43-101500 | 4 |
| 22 | inner door glass | G30R43-100500 | 2 |
| 23 | inner door LOW-E glass | G30R43-100501 | 2 |
| 24 | glass wool for door | G30R43-103500 | 2 |
| 25 | axis of rotation component right | EDCR43-101301-Z | 1 |
| 26 | Door frame right | G30R43-100603-Z | 1 |
| 27 | Door frame left | G30R43-100602-2 | 1 |
| 28 | axis of rotation component left | EDCR43-101300-2 | 1 |
| 29 | door seal bar | G48R03-071200 | 1 |
| 30 | 30" front panel | EDCR43-070105 | 1 |
| 32 | cavity down bottom plate | EDCR43-071800 | 1 |
| 33 | cavity down side plate | EDCR43-070400 | 2 |
| 34 | 30" cavity bottom plate glass wool-X01 | G30X01-036000 | 1 |
| 35 | right outside plate | EDCR43-071101 | 1 |
| 36 | cavity down plate | C30X03-070706 | 1 |
| 37 | cavity top right side plate | G36X04-070506 | 1 |
| 38 | cavity top left side plate | G36X04-070507 | 1 |
| 39 | left outside plate | EDCR43-071100 | 1 |
| 40 | heat element cushion plate | C30X04-080600 | 1 |
| 41 | side rack | G36X01-073801 | 2 |
| 42 | oven bottom heat element | EDCR43-091200 | 1 |
| 43 | Oven lamp-square shape | G36X04-180100 | 2 |
| 44 | oil baffle plate | EDCR43-215101 | 1 |
| 45 | right slid rail X01 series | G36X01-120701 | 2 |
| 46 | slide rail L X01 series | G36X01-120700 | 2 |
| 47 | 30"baking rack-R05 | G30R05-071901 | 2 |
| 49 | 30"front panel strip | G30X03-214502 | 1 |
| 50 | broil heat element | EDCR43-091000 | 1 |
| 52 | heat element cushion plate | C36X04-080600 | 1 |

| | | | |
|-----|---|-----------------|---|
| 53 | cavity top plate component | EDCR43-070601-Z | 1 |
| 56 | chimney outer plate | EDCR43-365200 | 1 |
| 57 | chimney inside plate | EDCR43-365100 | 1 |
| 58 | cavity structure frame glass wool | EDCR43-070800 | 1 |
| 59 | metal press button | EDCR43-170200 | 1 |
| 61 | knob for oven function | EDCR44-030101 | 1 |
| 62 | knob shining PCB | EDCR44-031000 | 2 |
| 63 | knob for thermostat | EDCR44-030100 | 1 |
| 64 | knob ring | G36R04-030200 | 2 |
| 65 | red LED light | EDCR44-031000-7 | 1 |
| 66 | control panel | EDCR43-030303 | 1 |
| 67 | potentiometer fixed part | EDCR43-100700 | 1 |
| 68 | display glass for sous vide function | E30E03-030301 | 1 |
| 71 | potentiometer support | EDCR44-190500 | 1 |
| 72 | door top connection plate | EDCR43-022200 | 1 |
| 73 | Door top connection plate with hole | EDCR43-022300 | 1 |
| 74 | Copper bush | G36R43-130100 | 2 |
| 75 | cavity top insulation plate | ESCR43-074500 | 1 |
| 76 | cooling fan support | EDCR43-075300 | 1 |
| 77 | chimney baffle plate | EDCR43-074400 | 1 |
| 78 | Thermo-controller 50 | C36R05-076200 | 1 |
| 79 | Thermo-controller 140 | EDCR43-076200 | 1 |
| 80 | control panel cover | EDCR43-074900 | 1 |
| 81 | cavity top isolation plate | EDCR43-074800 | 1 |
| 82 | control system | ESCR44-030900 | 1 |
| 83 | power cord terminal | E20F01-106400 | 1 |
| 84 | power cord | EDCR43-160100 | 1 |
| 85 | control panel installation board | EDCR43-075000 | 1 |
| 86 | wires for single wall oven-high end | ESCR44-180300 | 1 |
| 87 | PCB support part | EDCR43-073000 | 1 |
| 89 | cooling fan | EDCR43-200900 | 1 |
| 90 | cavity top insulation plate strengthen part | EDCR43-074700 | 2 |
| 93 | down air guide plate | ESCR44-075600 | 1 |
| 94 | cavity top baffle plate | ESCR43-072000 | 1 |
| 95 | cavity back insulation plate | ESCR43-072201 | 1 |
| 96 | cavity back plate glass wool | EDCR43-072900 | 1 |
| 97 | cavity back | EDCR43-070301 | 1 |
| 98 | fan motor cover | G20H08-091701 | 1 |
| 99 | fan motor baffle plate | C36A01-073100 | 1 |
| 100 | back heat element | C20A01-091602 | 1 |
| 101 | fan motor | G20A01-091501 | 1 |
| 103 | outside fixed part | ESCR44-071200 | 2 |
| 104 | installation fixed part left | ESCR44-214500 | 1 |
| 105 | installation fixed part right | ESCR44-214501 | 1 |
| 106 | cavity down insulation plate | ESCR44-074500 | 1 |
| 107 | cavity top strengthen beam | EDCR43-022100 | 1 |
| 108 | rotate axis coat | G36R43-002200 | 2 |
| 109 | rubber mat | G36R43-002300 | 2 |
| 110 | adjustable bottom base | G36R43-002100 | 2 |
| 111 | door downside connection plate | ESCR44-985600 | 1 |

| | | | |
|-----|------------------------------------|---------------|---|
| 112 | bottom rotate fixed part right | EDCR43-032101 | 1 |
| 113 | bottom rotate fixed part left | EDCR43-032100 | 1 |
| 114 | botton plate connection part | EDCR43-200800 | 1 |
| 115 | bottom plate support R | EDCR43-071001 | 1 |
| 116 | bottom plate support L | EDCR43-071000 | 1 |
| 117 | down decoration strengthen support | ESCR44-120200 | 1 |
| 118 | down decoration fixed part | ESCR44-120300 | 2 |
| 119 | top decoration plate | ESCR44-120101 | 1 |

GUARANTEEDPARTS.COM

